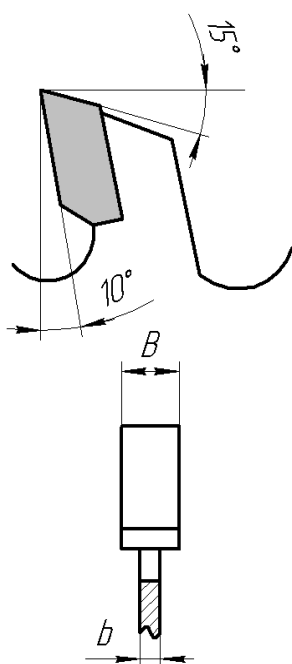
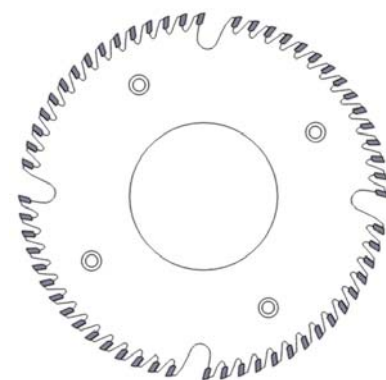
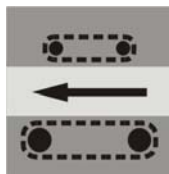
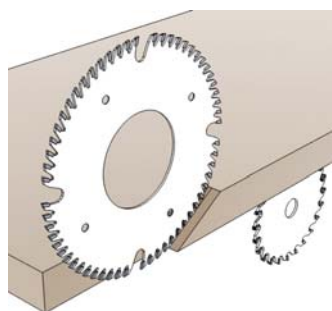


1.9.1 Дисковые пилы кромко-облицовочных станков и линий



	D, мм	B, мм	b, мм	d, мм	DKN, мм	Z	Z-form	Art. Right	Art. Left		
Sistem AKE	205	4.0	2.8	80	4/6/140	44	FZ	24.070.010	24.070.012		
		4.0	2.8	80	4/6/140	60	FZ	24.070.016	24.070.018		
	255	4.0	2.8	80	6/6/190	48	FZ	24.070.020	24.070.022		
		4.0	2.8	80	6/6/190	60	FZ	24.070.026	24.070.028		
Sisten Guhdo	205	4.0	2.8	100	6/6/140	42	FZ	24.071.011	24.070.013		
		4.0	2.8	100	6/6/140	60	FZ	24.071.015	24.071.017		
		250	4.0	2.8	130	6/8/190	42	FZ	24.071.025	24.071.027	
		4.0	2.8	130	6/8/190	60	FZ	24.071.031	24.071.033		
		Sistem Leuco	200	4.0	2.8	80	4/6.5/120	40	FZ	24.073.010	24.073.012
				4.0	2.8	80	4/6.5/120	60	FZ	24.073.015	24.073.017
	220	4.0	2.8	80	6/6/154	40	FZ	24.073.011	24.073.013		
		4.0	2.8	80	6/6/154	60	FZ	24.073.016	24.073.218		
	250	4.0	2.8	80	6/6.5/172	48	FZ	24.073.020	24.073.022		
		4.0	2.8	100	6/6.5/172	48	FZ	24.073.024	24.073.026		
		4.0	2.8	80	6/6.5/172	72	FZ	24.073.030	24.073.032		
		4.0	2.8	100	6/6.5/172	72	FZ	24.073.034	24.073.036		
	255	4.0	2.8	80	6/6.5/172	48	FZ	24.073.038	24.073.040		
		4.0	2.8	100	6/6.5/172	48	FZ	24.073.042	24.073.044		
		4.0	2.8	80	6/6.5/172	60	FZ	24.073.046	24.073.048		
		4.0	2.8	100	6/6.5/172	60	FZ	24.073.050	24.073.052		

D, мм	B, мм	b, мм	d, мм	Z	Z-form	Art.
180	3.2	2.2	65	36	FZ	24.010.240
	3.2	2.2	65	48	FZ	24.010.250
	3.2	2.2	65	48	FZ	24.010.260

	D, мм	B, мм	b, мм	d, мм	DKN, мм	Z	Z-form	Art.
Homag	100	3.2	2.2	32		20	WZ neg	24.085.100
	100	3.2	2.2	32		20	WZ	24.085.101
	100	3.2	2.2	32		20	WZ	24.085.102
	110	3.6	2.4	32		20	WZ	24.085.115
	120	3.2	2.2	32		20	WZ	24.085.120
IMA	150	3.5	2.4	22		30	WZ	24.085.150
	150	3.5	2.4	22		30	WZ	24.085.151
	150	3.5	2.4	22		48	WZ	24.085.152
	160	3.2	2.2	22		48	WZ	24.085.162